

Valve Regulated Lead Acid Battery

12V TUBULAR GEL FRONT ACCESS BATTERY

TGF Series

RANGE SUMMARY

BSB TGF batteries are designed to meet the requirements of heavy duty applications in high temperature. This series is highly suited for telecommunications and renewable energy systems where reliability and performance are the priorities.

It benefit from an optimized tubular plates and gelled electrolyte which offer both a longer float life and deep cycle life. Thanks to the Front Access design, this series offers easy & fast installation and is maintenance free.

FEATURES AND BENEFITS

- 15 years design life at floating condition
- Wide operating temperature range from -20°C to 60°C
- Tubular positive plate with prolonged cycle life
- Gelled electrolyte
- High corrosion resistance grid alloy
- Low self-discharge rate and long shelf life (9 months at 20°C)
- Excellent deep discharge recovery capability

CONSTRUCTION

- Positive plate : Tubular plate
- Negative plate : Balanced Pb-Ca grid for improved recombination efficiency
- Separator : AGM technology
- Electrolyte : Dilute high purity sulphuric acid with fumed Silica gel
- Battery container and cover : ABS
- Pillar seal : Double reliable sealing
- Relief valve : Complete with integrated flame arrestor

CHARGING VOLTAGE AND SETTINGS

- Constant voltage charging is recommended
- Recommended float charge voltage: 2.27Vpc @ 20~25°C
- Float voltage temperature compensation: -3mV/°C/cell
- Float voltage range: 2.27 to 2.30 Vpc @ 20~25°C
- Cyclic application charge voltage : 2.35 to 2.40Vpc @ 20~25°C
- Max. charge current allowable : 0.20C10A



Capacity Range: 100Ah-150Ah

General Specifications



Code No.	Voltage (V)	Capacity (AH)	Dimension								Weight		Terminal Type	
			Length		Width		Height		Total Height		Kg	Lb		
mm	in	mm	in	mm	in	mm	in	mm	in	mm	in	Kg	Lb	
TGF12-100	12V	100	558	22.0	125	4.92	235	9.25	235	9.25	36.5	80.5	M8	
TGF12-150	12V	150	558	22.0	125	4.92	332	13.1	332	13.1	56.0	123	M8	

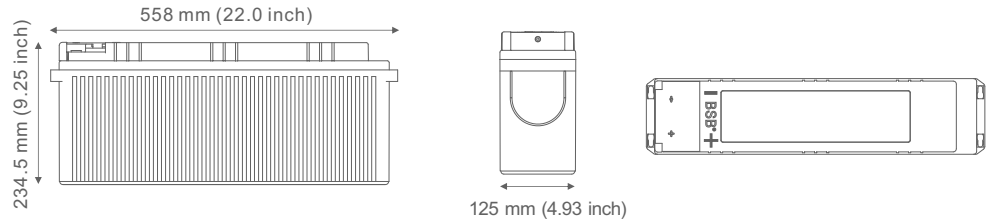
For more information, please visit our website: www.bsbpower.com or send an email to enquiry@bsbpower.com

Products specifications described herein are subject to change without prior notification.

Applications

- Telecommunications
- Renewable Energy systems
- Power Utilities
- UPS systems
- Others

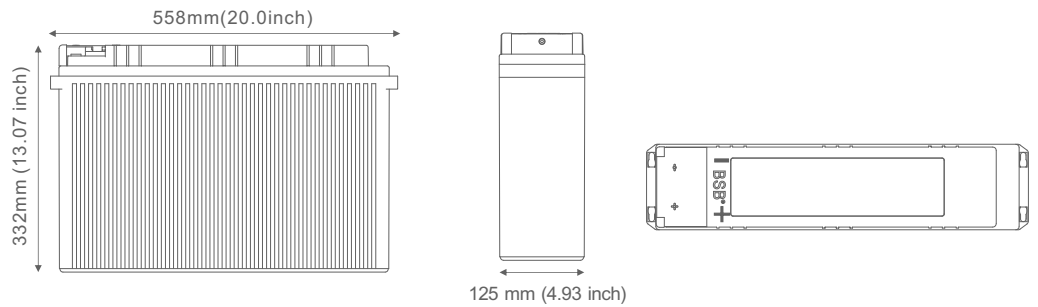
TGF12-100



Complied Standards

- IEC 60896-21/22
- Eurobat guide, long life
- BS6290 part 4
- YD/T 799
- IEC 61427
- UL1989
- IATA and IMDG

TGF12-150



Available Series

- OPzV Series
- OPzS Series
- FAG Series
- FA Series
- TGF Series
- TG Series
- Solar Series
- LSG Series
- LSE Series
- HR Series
- DC Series
- DB Series
- GB Series

Headquarters and subsidiaries

- BSB Power Company Limited (HQ)
- BSB Power Europe (France)
- BSB Power Malaysia Sdn. Bhd
- PT. BSB Indonesia
- BSB Power (Thailand) Co., Ltd
- BSB Power Company Pakistan Ltd



CT-JY-MKT-N-A06